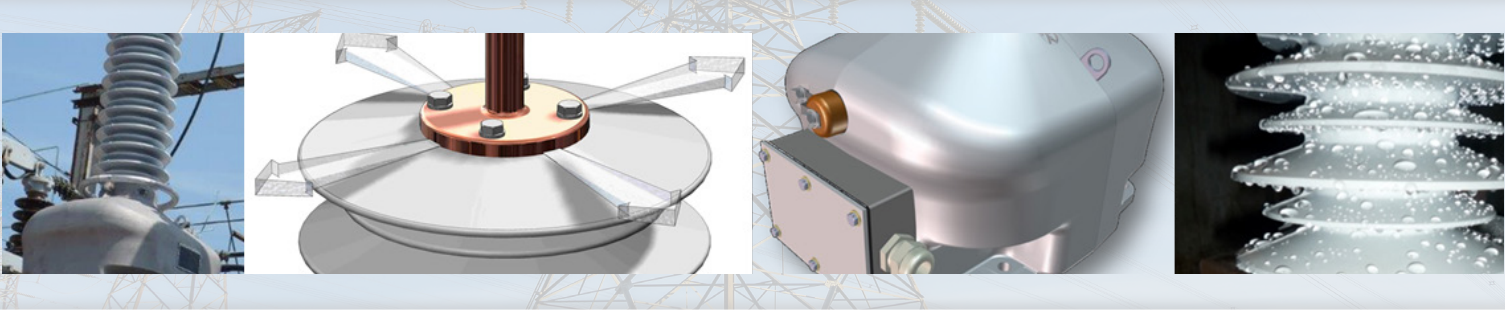




We Make Lasting Connections



SADTEM

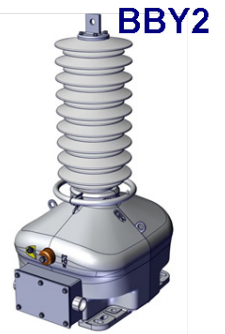
Voltage Transformers

BBY Series

- Aluminum body (good mechanical impact strength and solid grounding)
- Silicone bushing insulator (mitigates damage from a mechanical shock and has excellent hydrophobic properties)
- Measurement Canada approved
- Up to 350kV BIL

The SADTEM Advantage:

- 80+ years in manufacturing expertise
- Casting process and resin allows for reduced sizes, reduced weights and optimum dielectric strengths
- Pioneers in the use of cycloaliphatic resin insulators providing excellent creepage distances and resistance to surface tracking and flashover
- Easy to mount in any position either on their own or in clusters on pole mounted bracket assemblies or in padmount enclosures
- Dry type design - compact, rugged and require no maintenance
- Built to CSA/IEEE standards



REXEL Utility

Call: Ron Little • Cell: (905) 207-9277 • Email: ron.little@rexel.ca
1206 Ringwell Drive, Units #5-6, Newmarket, ON L3Y 8V9

WWW.REXELUTILITY.CA