

MPS Catalog Number

HO 40 UO 010 MX SS 005/ULP 46 S5

Date 2020-01-31

46kV Universal Trunnion Head Composite

Revision:

End Fittings

Line Post Insulator

Tower End Fitting:

Universal Trunnion (Aluminum)

Conductor Range: 0.250" - 1.34" (6.35mm - 34.0mm)

Line End Fitting:

3/4"-10 Round Base (Galv. Duct. Iron)

Material

Number of Sheds: 5

Rod Diameter: 1-1/2"

Weight Estimate: 11,7 lbs

5 kg

Dimensional Values

Section Length (L): 19,1 in 486 mm

Rubber Length (X): 10,9 in 276 mm

Shed Height (P): 2,3 in 58 mm

Shed Spacing (S): 2,0 in 160 mm

Shed Diameter (B): 6,3 in 50 mm

Dry Arc Distance: 12,7 in 323 mm

Leakage Distance: 31,5 in 801 mm

Electricals Values

60 Hz dry Flashover: 135 kV

135 kV

Min. Withstand

125 kV

60 Hz Wet Flashover: 117 kV

117 kV

Min. Withstand

102 kV

Positive CIFO: 231 kV

231 kV

Min. Withstand

205 kV

Negative CIFO: 253 kV

253 kV

Min. Withstand

242 kV

Mechanical Values

Max. Design Cant. Load (MDCL): 1 350 lbs 6,01 kN

1 350 lbs

6,01 kN

Specified Cant. Load (SCL): 2 800 lbs 12,5 kN

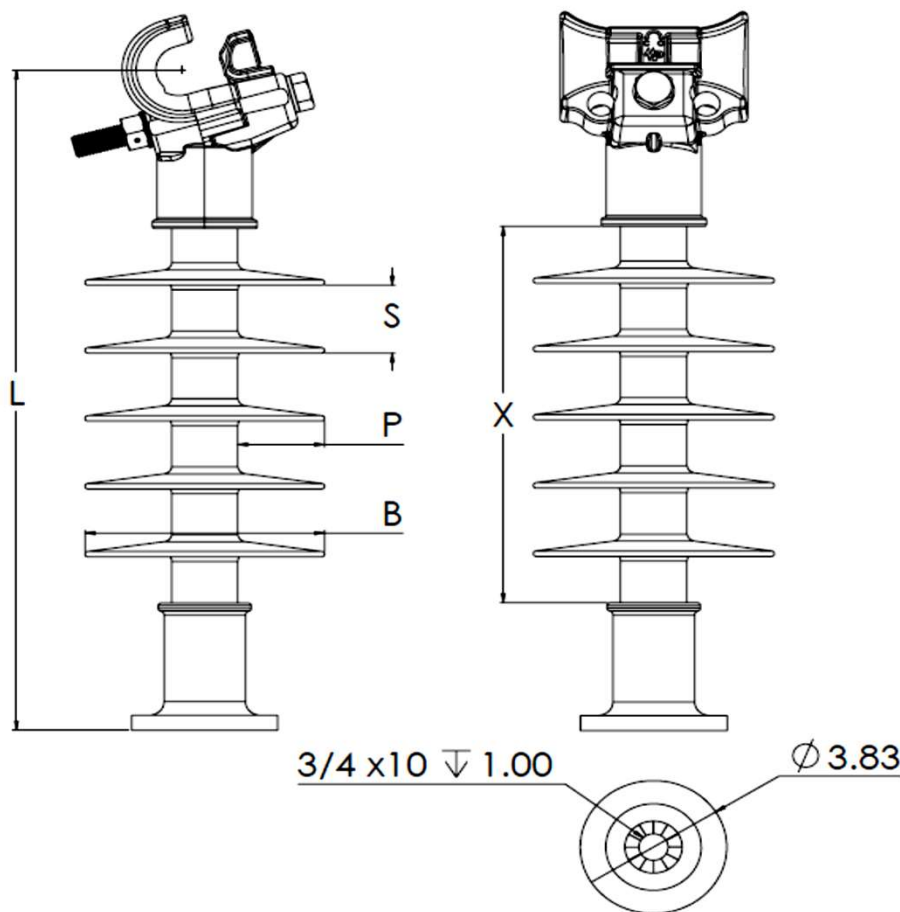
2 800 lbs

12,5 kN

Specified Tensile Load (STL): 5 000 lbs 22,2 kN

5 000 lbs

22,2 kN



Dimension: inches [millimeters]

NOTE: Drawing not actual depiction of insulator appearance

Insulator assembly complies with ANSI C.29.18 and CSA C411.6 standards.