



MacLean Power Systems 225
 Ford, Châteauguay (Qué.)
 Canada J6J 4Z2 Tel. (450) 698-0520
 Fax: (450) 692-5670

MPS Catalog Number

HO 40 U0 008 MX SS 004/ULP 35 S4

Date 2020-01-31

35kV Universal Trunnion Head Composite

End Fittings

Line Post Insulator

Tower End Fitting:

Universal Trunnion (Aluminum)

Conductor Range: 0.250" - 1.34" (6.35mm - 34.0mm)

Line End Fitting:

3/4"-10 Round Base (Galv. Duct. Iron)

Material

Number of Sheds:		4
Rod Diameter:		38
Weight Estimate:	13,5 lbs	6,1kg

Dimensional Values

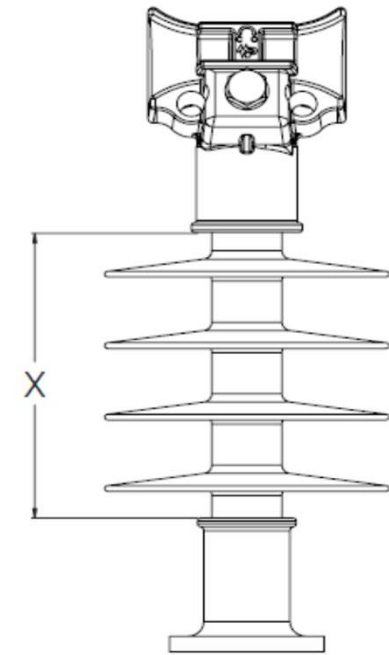
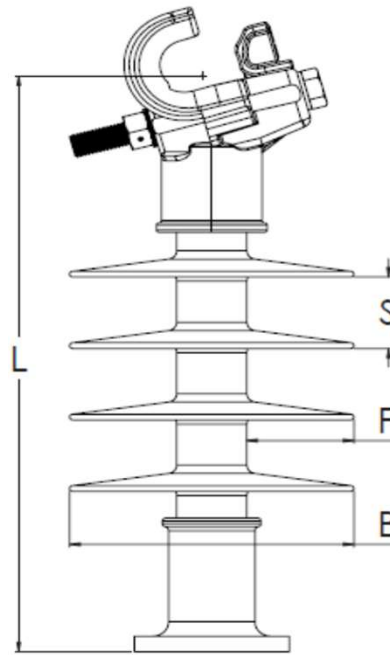
Section Length (L):	16,0 in	406 mm
Rubber Length (X):	7,8 in	199 mm
Shed Height (P):	2,3 in	58 mm
Shed Spacing (S):	2,0 in	50 mm
Shed Diameter (B):	6,3 in	160 mm
Dry Arc Distance:	10,2 in	259 mm
Leakage Distance:	24,4 in	620 mm

Electricals Values

60 Hz dry Flashover:	114 kV	Min. Withstand	107 kV
60 Hz Wet Flashover:	95 kV	Min. Withstand	69 kV
Positive CIFO:	194 kV	Min. Withstand	166 kV
Negative CIFO:	225 kV	Min. Withstand	197 kV

Mechanical Values

Max. Design Cant. Load (MDCL):	1 350 lbs	6,01 kN
Specified Cant. Load (SCL):	2 800 lbs	12,5 kN
Specified Tensile Load (STL):	5 000 lbs	22,2 kN



This drawing contains confidential information that is the property of MacLean Power, L.L.C. ("MacLean"). Use of MacLean's confidential information without MacLean's express written consent is strictly prohibited and may expose you to legal liability. If you believe that you received this material in error, please destroy it or return it to " MacLean Power Systems 225 Ford, Châteauguay (Qué.) Canada J6J 4Z2."

Dimension: inches [millimeters]

NOTE: Drawing not actual depiction of insulator appearance

Insulator assembly complies with ANSI C.29.18 and CSA C411.6 standards.