



MacLean Power Systems 225
 Ford, Châteauguay (Qué.)
 Canada J6J 4Z2 Tel. (450) 698-0520
 Fax: (450) 692-5670

MPS Catalog Number

H0 40 U0 006 MX SS 003/ULP 28 S3

Date 2020-01-31

28kV Universal Trunnion Head Composite

End Fittings

Line Post Insulator

Tower End Fitting:

Universal Trunnion (Aluminum)

Line End Fitting:

3/4"-10 Round Base (Galv. Duct. Iron)

Conductor Range: 0.250" - 1.34" (6.35mm - 34.0mm)

Material

Number of Sheds:		3
Rod Diameter:		38
Weight Estimate:	12,5 lbs	5,7kg

Dimensional Values

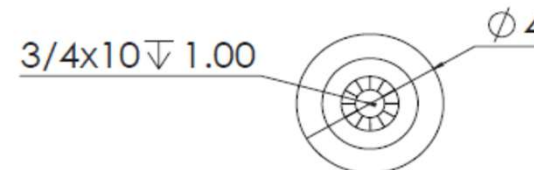
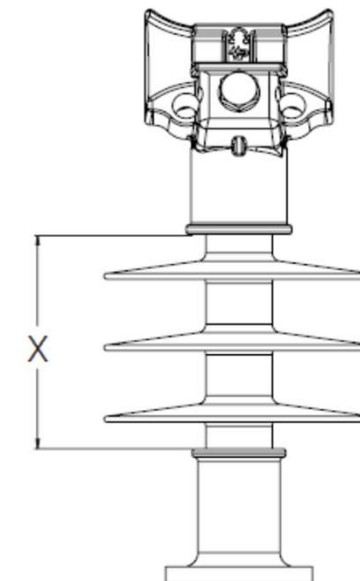
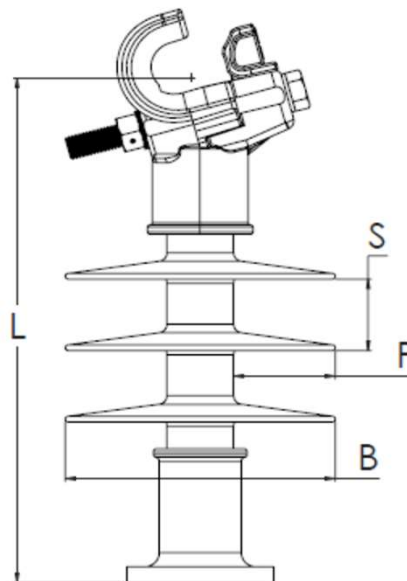
Section Length (L):	14,0 in	356 mm
Rubber Length (X):	5,9 in	149 mm
Shed Height (P):	2,3 in	58 mm
Shed Spacing (S):	2,0 in	50 mm
Shed Diameter (B):	6,3 in	160 mm
Dry Arc Distance:	8,2 in	209 mm
Leakage Distance:	18,3 in	465 mm

Electricals Values

60 Hz dry Flashover:	97 kV	Min. Withstand	91 kV
60 Hz Wet Flashover:	77 kV	Min. Withstand	55 kV
Positive CIFO:	165 kV	Min. Withstand	138 kV
Negative CIFO:	190 kV	Min. Withstand	169 kV

Mechanical Values

Max. Design Cant. Load (MDCL):	1 350 lbs	6,01 kN
Specified Cant. Load (SCL):	2 800 lbs	12,5 kN
Specified Tensile Load (STL):	5 000 lbs	22,2 kN



Dimension: inches [millimeters]

NOTE: Drawing not actual depiction of insulator appearance

Insulator assembly complies with ANSI C.29.18 and CSA C411.6 standards.

This drawing contains confidential information that is the property of MacLean Power, L.L.C. ("MacLean"). Use of MacLean's confidential information without MacLean's express written consent is strictly prohibited and may expose you to legal liability. If you believe that you received this material in error, please destroy it or return it to " MacLean Power Systems 225 Ford, Châteauguay (Qué.) Canada J6J 4Z2."