



MacLean Power Systems 225  
 Ford, Châteauguay (Qué.)  
 Canada J6J 4Z2 Tel. (450) 698-0520  
 Fax: (450) 692-5670

MPS Catalog Number

**H0 40 U0 004 MX SS 002/ULP 15 S2**

Date 2020-01-31

15kV Universal Trunnion Head Composite  
 Line Post Insulator

**End Fittings**

Tower End Fitting:

Universal Trunnion (Aluminum)

Conductor Range: 0.250" - 1.34" (6.35mm - 34.0mm)

Line End Fitting:

3/4"-10 Round Base (Galv. Duct. Iron)

**Material**

|                  |          |       |
|------------------|----------|-------|
| Number of Sheds: |          | 2     |
| Rod Diameter:    |          | 38    |
| Weight Estimate: | 11,9 lbs | 5,4kg |

**Dimensional Values**

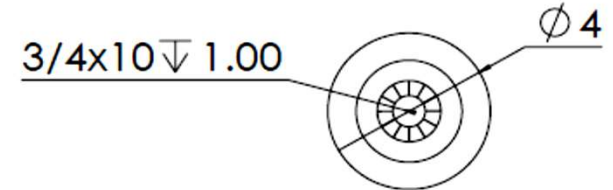
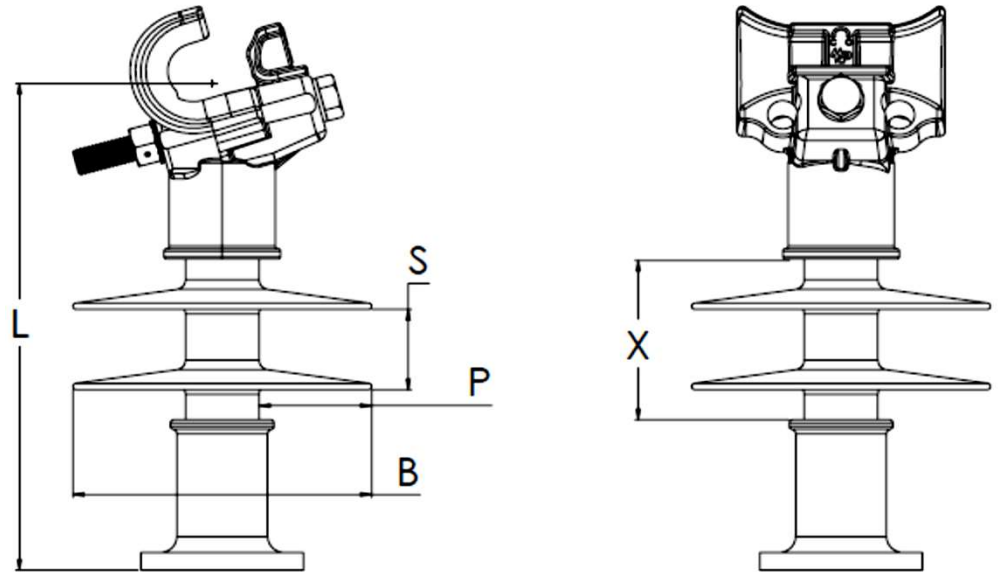
|                     |         |        |
|---------------------|---------|--------|
| Section Length (L): | 12,1 in | 306 mm |
| Rubber Length (X):  | 3,9 in  | 99 mm  |
| Shed Height (P):    | 2,3 in  | 58 mm  |
| Shed Spacing (S):   | 2,0 in  | 50 mm  |
| Shed Diameter (B):  | 6,3 in  | 160 mm |
| Dry Arc Distance:   | 6,2 in  | 158 mm |
| Leakage Distance:   | 12,2 in | 310 mm |

**Electricals Values**

|                      |        |                |        |
|----------------------|--------|----------------|--------|
| 60 Hz dry Flashover: | 78 kV  | Min. Withstand | 73 kV  |
| 60 Hz Wet Flashover: | 59 kV  | Min. Withstand | 41 kV  |
| Positive CIFO:       | 134 kV | Min. Withstand | 108 kV |
| Negative CIFO:       | 163 kV | Min. Withstand | 139 kV |

**Mechanical Values**

|                                |           |         |
|--------------------------------|-----------|---------|
| Max. Design Cant. Load (MDCL): | 1 350 lbs | 6,01 kN |
| Specified Cant. Load (SCL):    | 2 800 lbs | 12,5 kN |
| Specified Tensile Load (STL):  | 5 000 lbs | 22,2 kN |



This drawing contains confidential information that is the property of MacLean Power, L.L.C. ("MacLean"). Use of MacLean's confidential information without MacLean's express written consent is strictly prohibited and may expose you to legal liability. If you believe that you received this material in error, please destroy it or return it to "MacLean Power Systems 225 Ford, Châteauguay (Qué.) Canada J6J 4Z2."

Dimension: inches [millimeters]  
 NOTE: Drawing not actual depiction of insulator appearance

Insulator assembly complies with ANSI C.29.18 and CSA C411.6 standards.